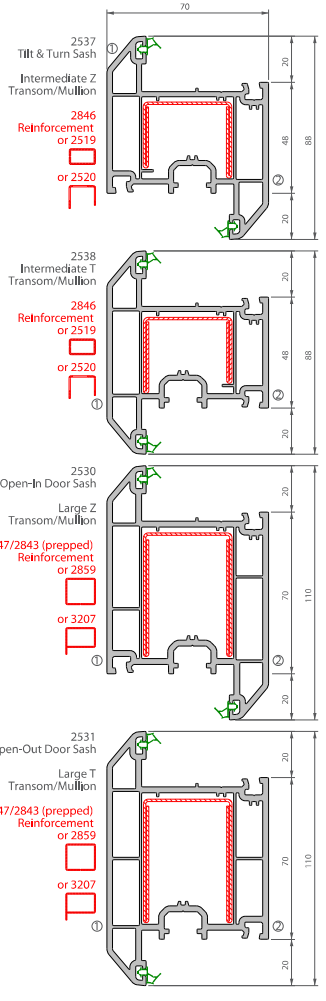
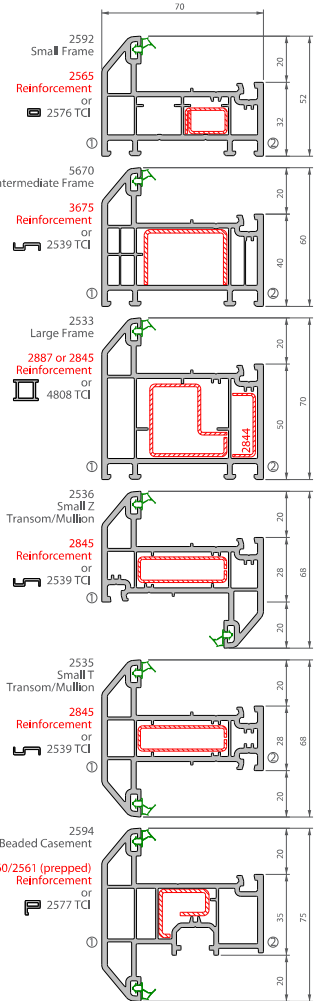
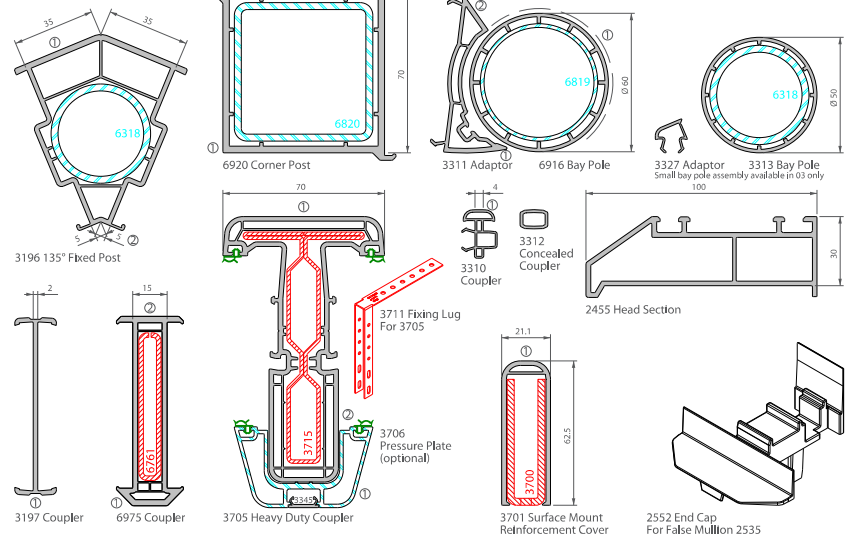
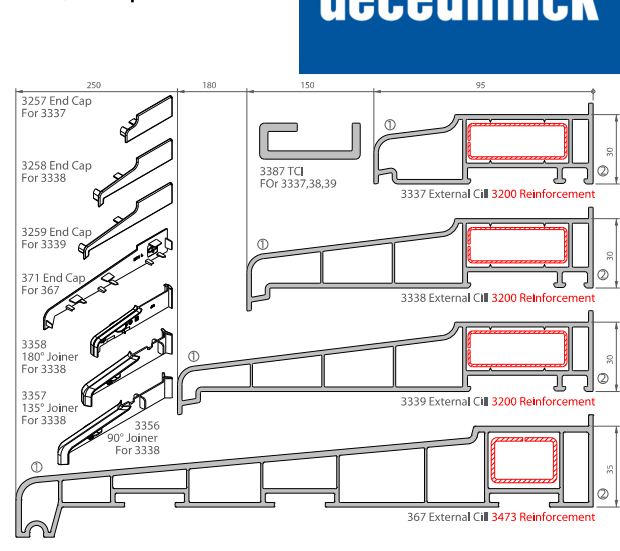
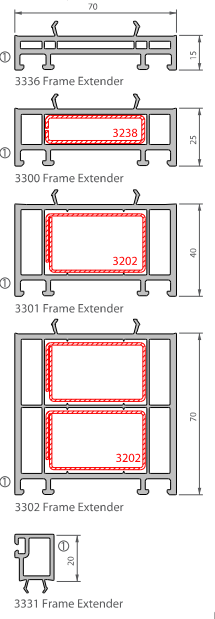


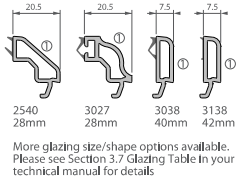
### Main Frame



### Cills, Frame Extenders, Couplers



**Foil Codes**  
Each colour code contains 4 digits  
First digit identifies the side or face to be foiled  
Remaining three digits identify the colour  
① Foil to side 1, opposite the bead side  
② Foil to side 2, bead side  
③ Foil to both sides



### Ancillaries

