



## Tilt & Turn Window Handle



### PRODUCT DESCRIPTION

Suitable for all uPVC tilt & turn window systems, the Quantum Tilt & Turn handle can accommodate both tilt first and turn first applications. This handle features an attractive design and comes with a 10 year mechanical guarantee.

### FEATURES & BENEFITS

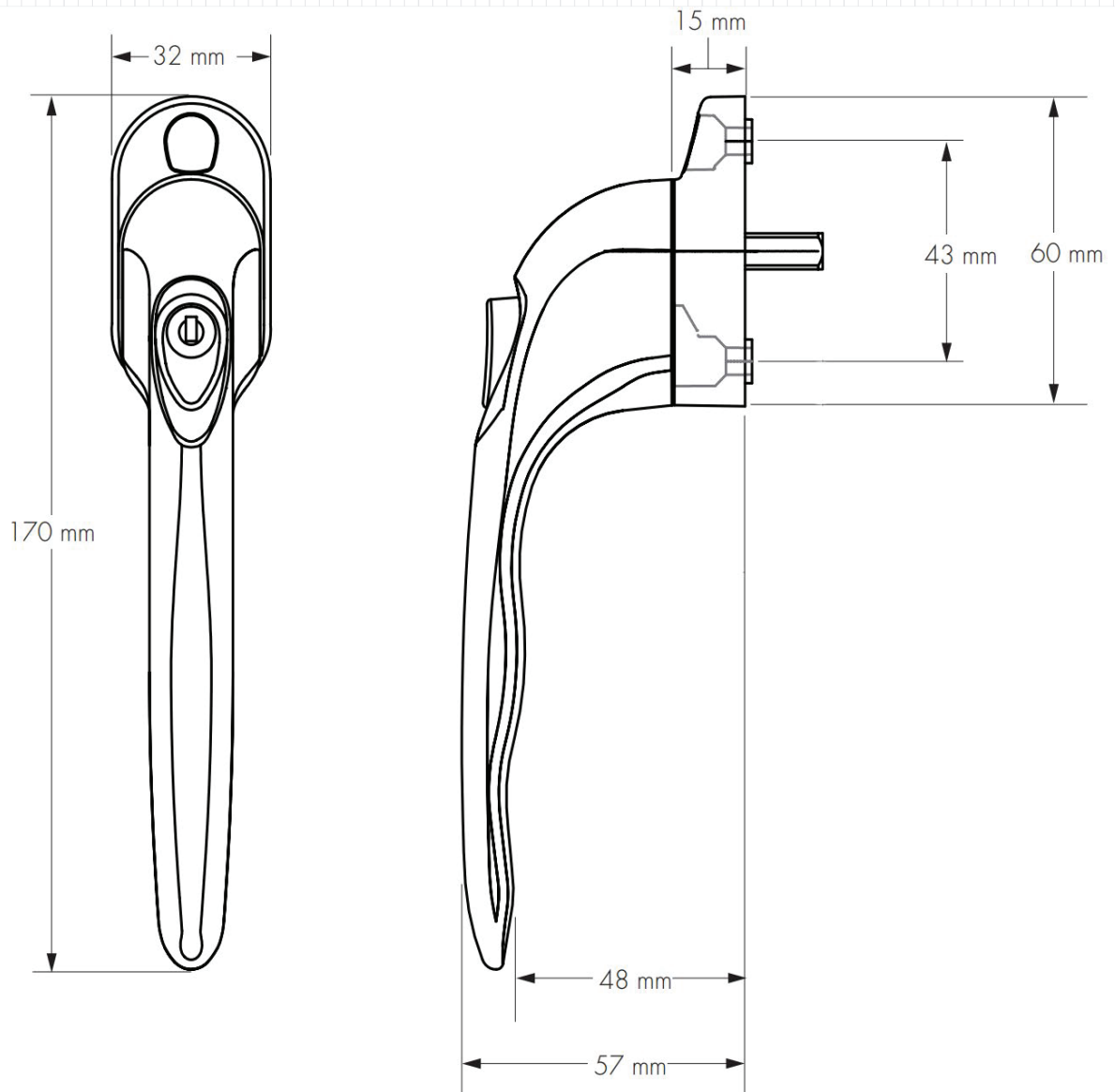
- Elegant ergonomic design with superior aesthetics
- Part of the fully suited Quantum Range
- Push to open / Key lockable
- Supplied with screws, key & non-locking inserts
- Ten finishes available; White, Black, Chrome, Gold, Satin Silver, Flint, Tungsten, Anthracite Grey, Antique Black and Cream
- 10 Year mechanical guarantee
- 2 Year surface guarantee
- BBA Approved
- Coating tested to BS.EN: 2007 Grade 4



Agrément Certificate  
15/5204  
Product Sheet 1



## Tilt & Turn Window Handle



### PACKAGING

Individually bagged with screws, covercap, key and non-locking insert.  
Inner boxes of 10 and outer boxes of 40

### MAINTENANCE

To maintain a high quality appearance and operation we recommend that all external hardware is cleaned routinely, and moving parts are lightly lubricated a minimum of twice a year. Products used within a 1 mile radius of coastal areas, building sites or large industrial areas, more regular cleaning will be required to prevent build up of corrosive contaminants.